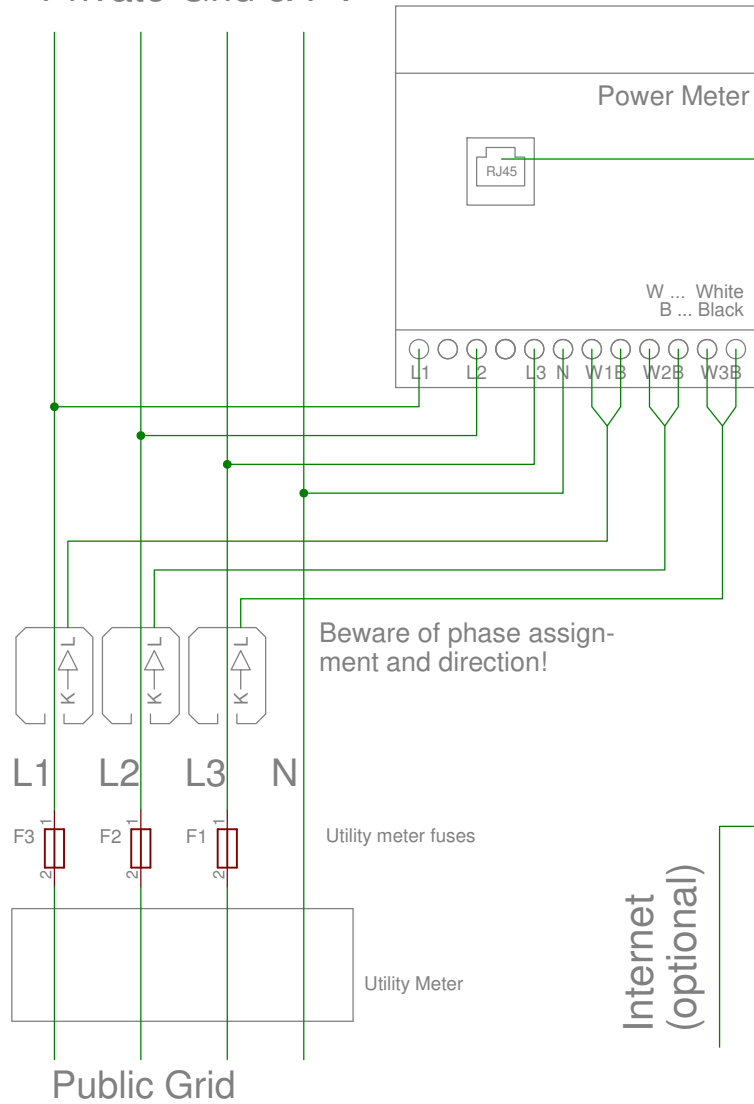
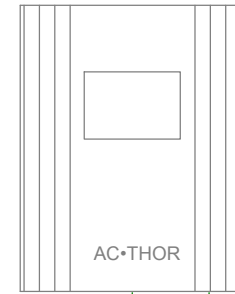


CONNECTION VIA ROUTER

Private Grid & PV



Private grid mains socket
13 / 16 A Fuse

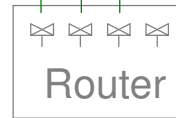


AC•THOR

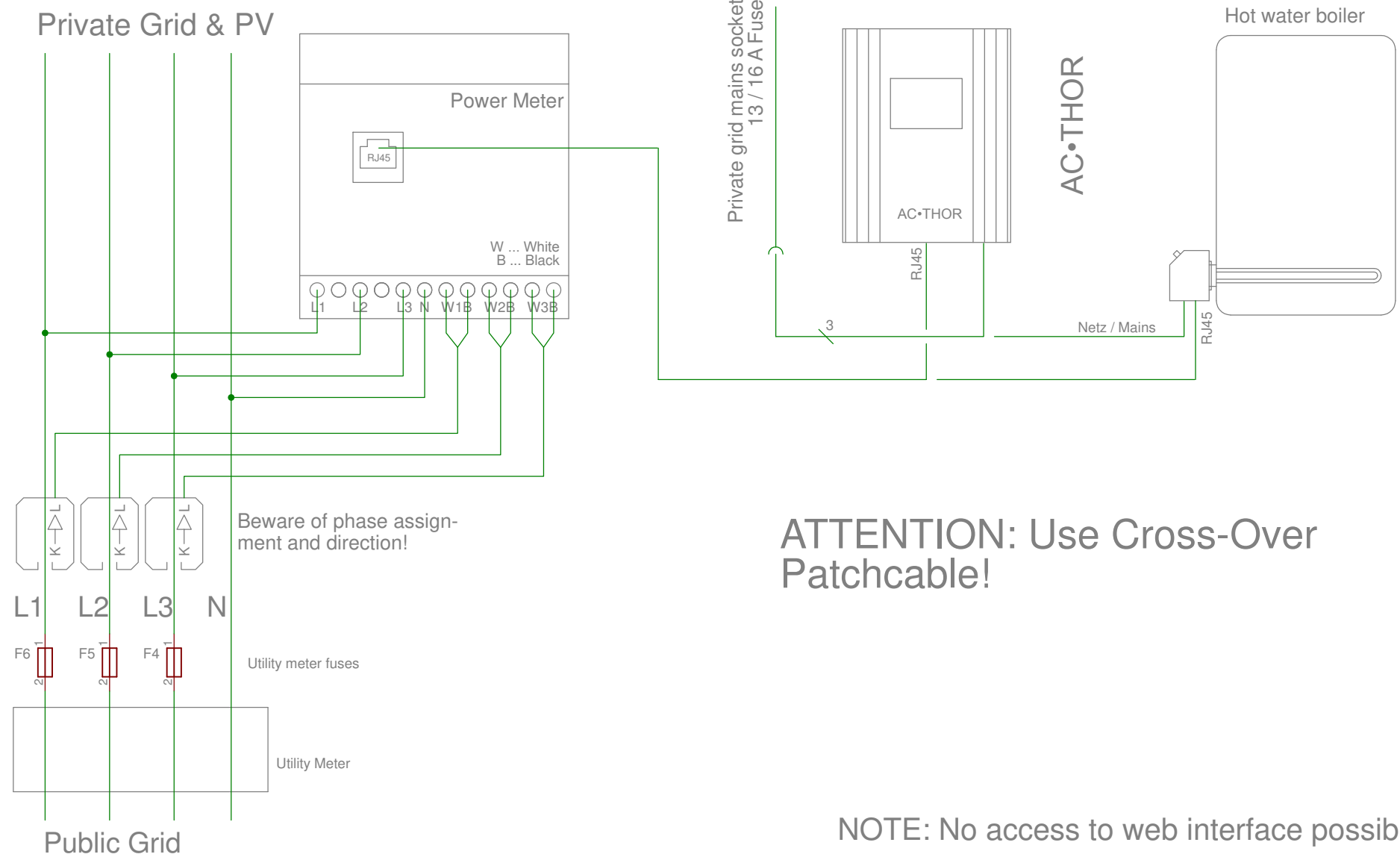
Hot water boiler

Mains

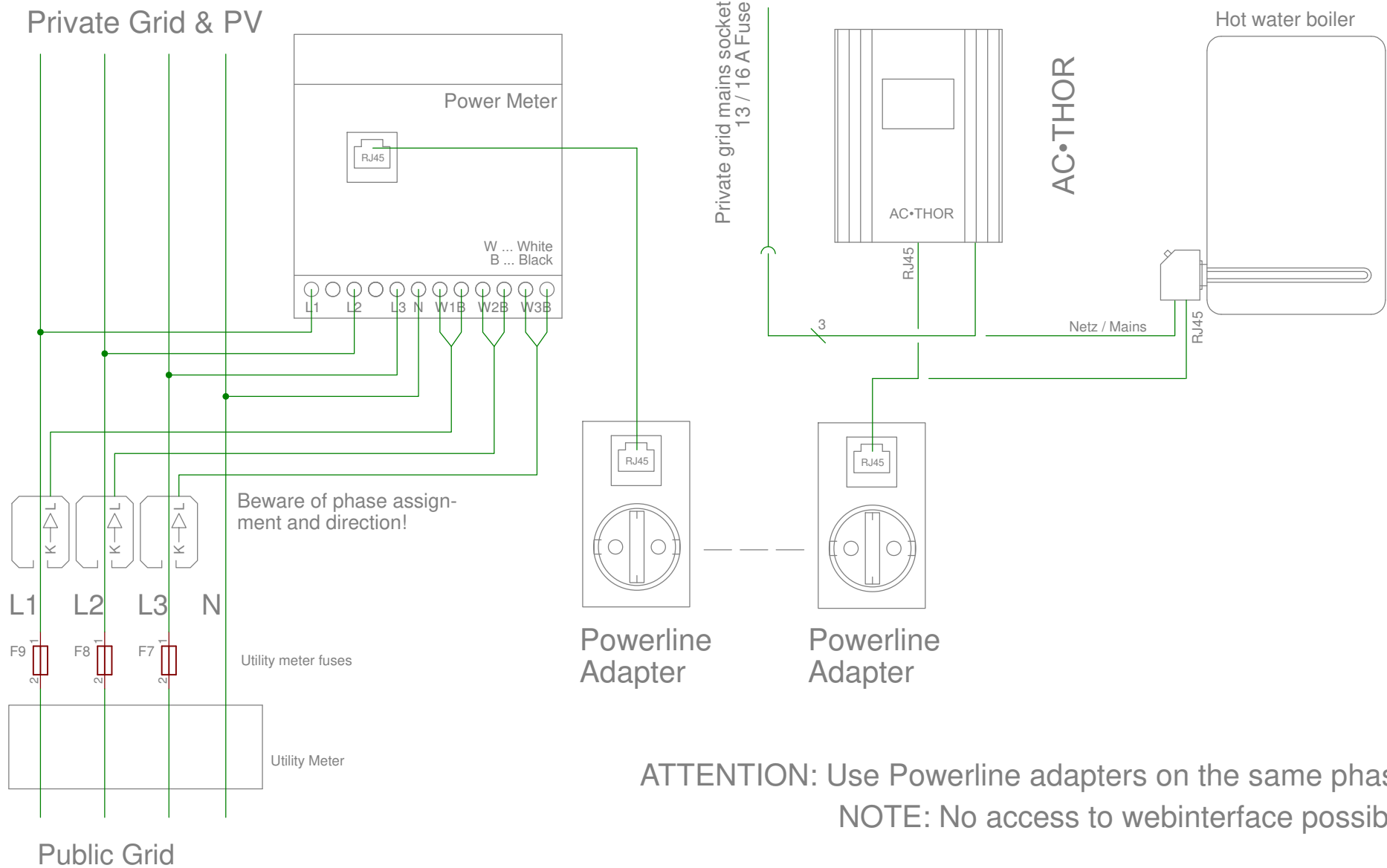
Internet
(optional)



DIRECT CONNECTION WITHOUT ROUTER



DIRECT CONNECTION VIA POWERLINE WITHOUT ROUTER



ATTENTION: Use Powerline adapters on the same phase!
NOTE: No access to webinterface possible!